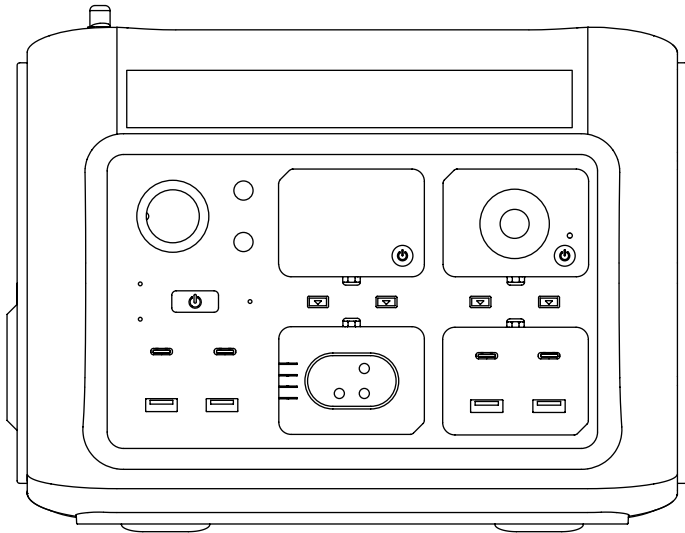


SOTTLOT

Outdoor Portable Power Station | User Manual



Disclaimer of interest

Before use, please read the user manual of this product to ensure correct use after complete understanding, after reading, please keep the user manual in a safe place for future reference. If you do not operate this product correctly, you may cause serious injury to yourself or others, or cause damage to the product and property, once you use this product, you are deemed to have understood, acknowledged, and accepted all of the terms and content of this document. The user promises to be responsible for their actions and the consequences arising therefrom, and Sottlot shall not be liable for any losses caused by the user's failure to use the product according to the User Manual.

Safety guide

Usage

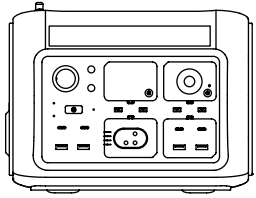
1. When using this product, please strictly follow the user manual of the use of the ambient temperature. The excessive temperature may cause the battery fire, or even explosion. If the temperature is too low, the performance of the product will be seriously reduced, and even cannot meet the normal use requirements.
2. It is strictly forbidden to make the product contact any liquid, please do not immerse the product in water or make it wet, and try to avoid using the product in the rain or wet environment.
3. In a humid environment (such as the beach, pool, etc.), it is recommended to use with a moisture-proof bag.
4. It is strictly forbidden to put the product near the heat source, such as fire source or heating furnace, when it is working.
5. If the product accidentally catches fire, please use the fire extinguishing equipment in the following recommended order: water or water mist, sand, fire blanket, dry powder, carbon dioxide fire extinguisher.
6. If water enters the product or accidentally falls into the water, please stop using it immediately, turn off the power, and place it in a safe and open area. Please do not approach the product before it dries. Please take measures to prevent electric shock when touching. The dried product should not be used or discarded at will. Please handle it properly after contacting customer service.
7. If the product port has stains, please use a dry cloth to wipe clean.
8. Prohibit the use of the product in strong static electricity or strong magnetic field.
9. It is forbidden to stack heavy objects on this product.
10. Please store the product in a dry and ventilated space.
11. Please store the product out of the reach of children and pets.

12. Do not place the battery in an environment with extremely low air pressure, otherwise it will lead to explosion or leakage of flammable liquid or gas.
13. It is forbidden to disassemble or pierce the product with sharp objects in any way.
14. It is forbidden to cover or block the fan vent during use.
15. It is forbidden to touch the product ports with wires or other metal objects to avoid short-circuiting the product.
16. When using or transporting this product, please avoid bumping, dropping and severe vibration. If there is a serious external shock, please immediately stop using and turn off the power.
17. Please do not use unofficial parts or accessories, which may void the warranty, if you need to replace, please check the official sales channel of Sottlot for related purchase information.
18. This product is not recommended for power supply of medical emergency equipment related to personal safety, including but not limited to medical-grade ventilators, artificial lungs, etc. Home ventilators used in the home can be used normally and generally without constant professional monitoring, follow medical advice when using and consult with their manufacturers on the use of equipment limitations, if used for general medical equipment, please be sure to pay attention to the power condition to ensure that the power does not run out.
19. Power supply products inevitably generate electromagnetic fields during use, which may affect the normal operation of implantable medical devices or personal medical devices, such as pacemakers, cochlear implants, hearing aids, defibrillators, etc. If these medical devices are used, please consult their manufacturers for the limitations of the relevant equipment to ensure during the operation of this product to maintain sufficient safety distance from implanted medical devices such as pacemakers, cochlear implants, hearing aids, defibrillators, etc.
20. For long-term storage, please maintain this product once every 3 months, i.e. charge and discharge once (the default maintenance time is 3 months, which can be set in the APP, the setting range (1 month - 6 months), more than 6 months without charging and discharging the product will not be covered by warranty).

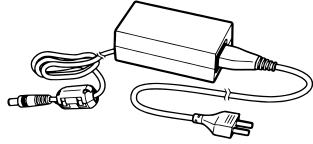
Disposal

1. If the conditions allow, please make sure that the battery of this product is completely discharged, and then put the product in the designated battery recycling bin, this product contains batteries, and batteries are dangerous chemicals, it is strictly forbidden to dispose of in the ordinary garbage bin, for details, please comply with local battery recycling and disposal laws and regulations.
2. If the battery cannot be completely discharged due to the failure of the product itself, please do not dispose of the battery directly in the battery recycling bin, but contact a professional battery recycling company for further processing.

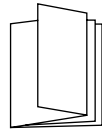
Packing list (host)



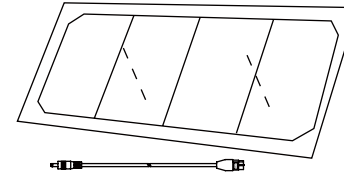
Alpha 800



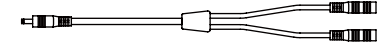
Adapter



User manual

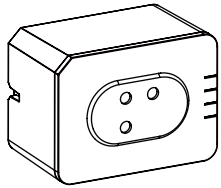


Solar panel +Adapter 1(2m)

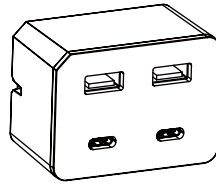


Adapter 2(0.7m)

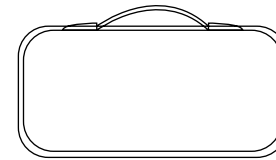
Packing list (optional accessories)



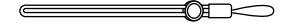
Power bank



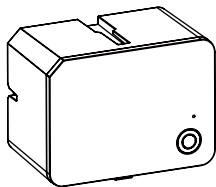
USB interface



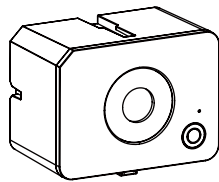
Accessories bag



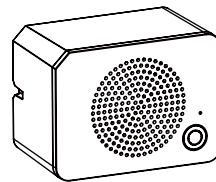
String



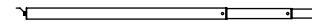
Mini panel light



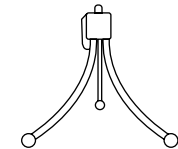
Spot light



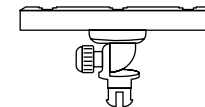
Speaker



Extension rod



Flexible tripod support



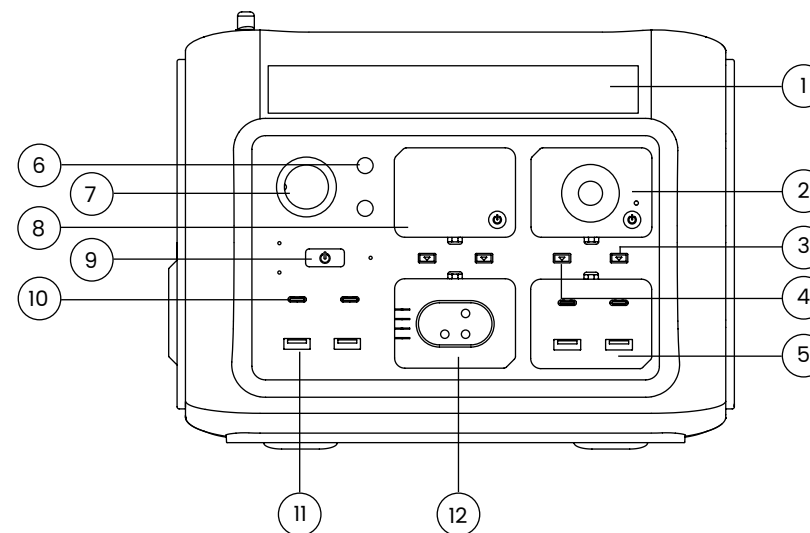
Fixed frame

Host parameter specification

| Basic information | |
|-----------------------------|------------------------------------|
| Model | Alpha800 |
| Net weight | About 6KG |
| Size | 265.7×207.3×212mm |
| Capacity | 512WH |
| Battery specification | |
| Electrical core material | LiFePO4 lithium iron phosphate |
| Lifespan | 3000 times |
| Input specification | |
| Adapter charge input | 100W Max |
| Solar charging input | 2×100W Max, 18V |
| DC output specification | |
| Cigarette lighter | 1×12V/10A |
| Wireless charging | 1×15W |
| DC-5521 | 2×12V/5A |
| USB | USB-A×2(5V3A) |
| | USB-C×1(5V)+USB-C×1(100W) |
| AC output specification | |
| AC | 2×AC, 50Hz/ 220V/ 800W. Total |
| Maximum power | 1600W |
| Operating temperature | |
| Working temperature | Discharge temperature: -20°C ~45°C |
| | Charging temperature: 0-45°C |
| Storage temperature | -20°C ~60°C |
| Optimum service temperature | 20°C ~30°C |

1. Product display

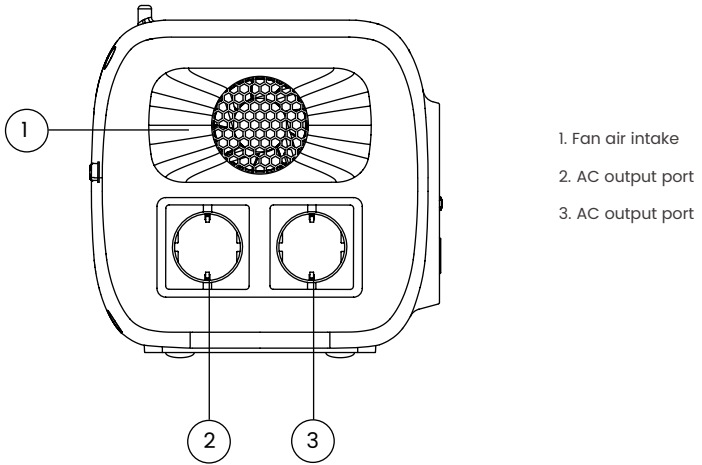
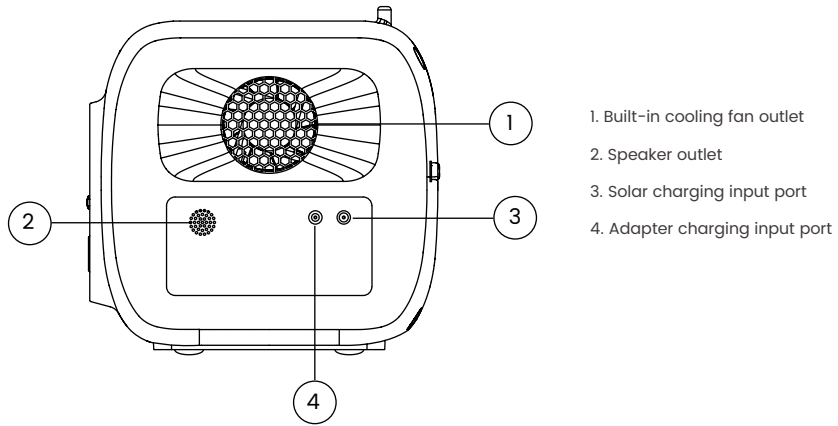
1.1 Product appearance introduction (front)



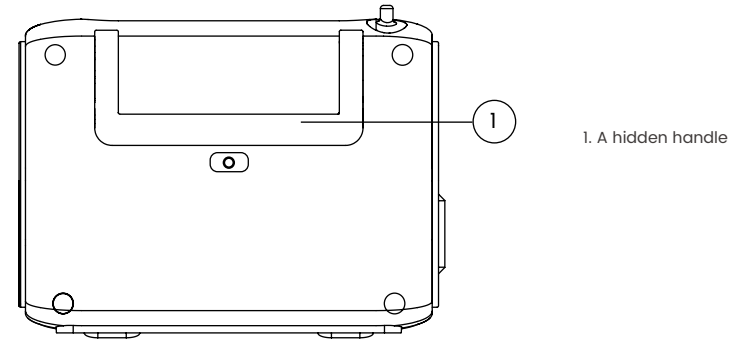
- | | | |
|----------------------------------|-------------------------|-----------------------------|
| 1. Display screen | 2. Accessory module | 3. Accessory pop out button |
| 4. Accessory pop out button | 5. Accessory module | 6. DC5521×2 output port |
| 7. Cigarette lighter output port | 8. Accessory module | 9. Battery main switch |
| 10. USB-C×2 output port | 11. USB-A×2 output port | 12. Accessory module |

Note: Please refer to 4 for details of the accessory module

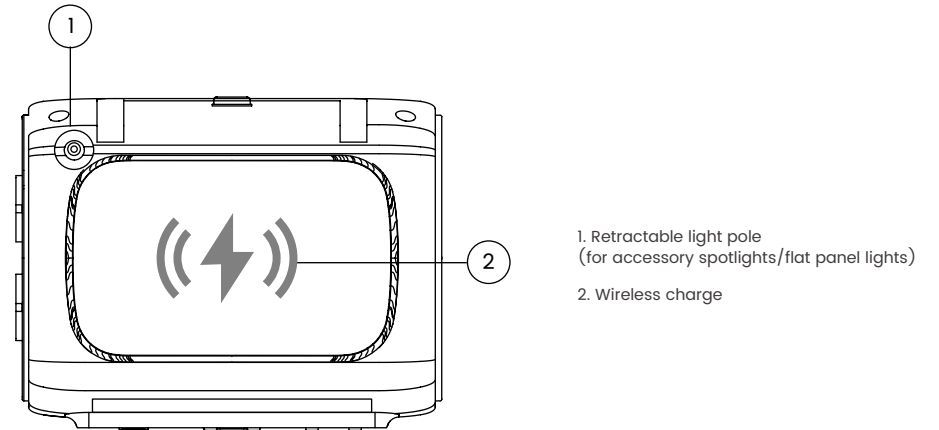
1.2 Product appearance introduction (side)



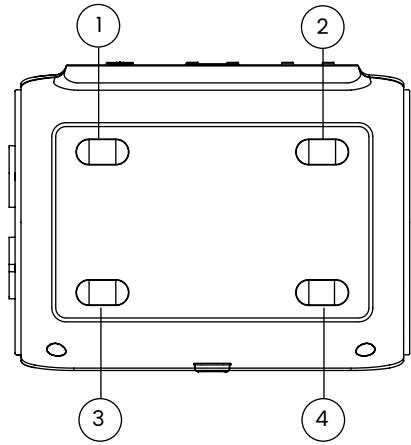
1.3 Product appearance introduction (back)



1.4 Product appearance introduction (top)

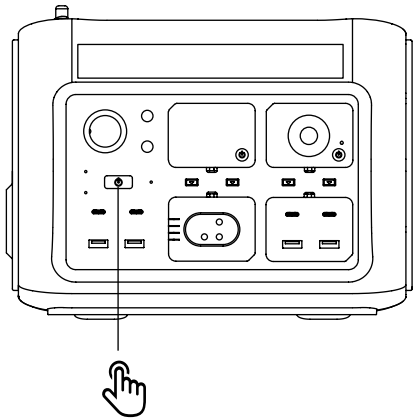


1.5 Product appearance introduction (bottom)



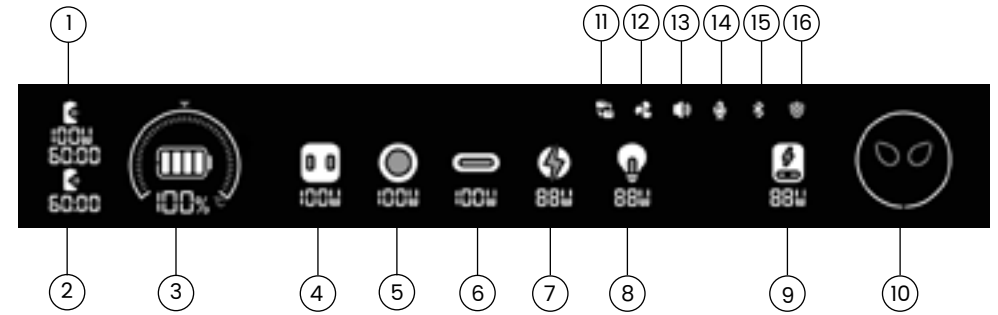
1. 1-4 anti-skid silicone foot pads

1.6 Switch on/off



1. Press and hold for 1 second to switch on and off normally
2. Long press for 6 seconds to Factory reset
3. Press and hold for 10 seconds to force shutdown

1.7 Display screen



1. Charging display of remaining time/power
2. Discharge display and remaining time
3. Reminder of battery charge percentage and temperature exceeding limit
4. AC output and power
5. Cigarette lighter/5521 output status and power
6. USB output and power
7. Wireless charging output and power
8. Lamp output and power (spotlights/flat panel lights)
9. Power bank output and power
10. Xiaode robot
11. Parallel connection (displayed when there is a parallel connection)
12. Built in computer fan operates
13. Volume on
14. Microphone on
15. Bluetooth connection
16. Safety protection on

2. Equipment control

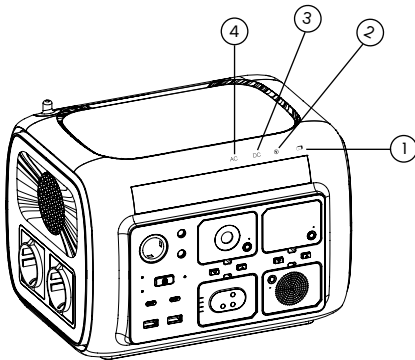
After the product is turned on, the following methods can be used to turn on or off the switches of the input/output/accessories of the product to control the device.

2.1 Download the APP



You can connect to Bluetooth, control this product, view product information, and set related functions through the Sottlot (Adelot) app.

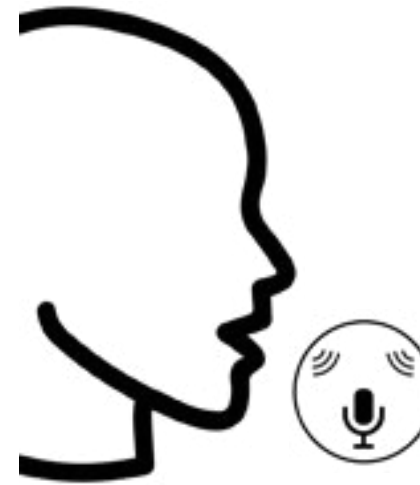
2.2 Touch button control



Touch the button switch to turn on or off the input/output/accessory.

- 1. Accessories touch switch
- 2. Wireless charging output touch switch
- 3. DC output touch switch (DC5521+cigarette lighter)
- 4. AC output touch switch

2.3 AI voice control



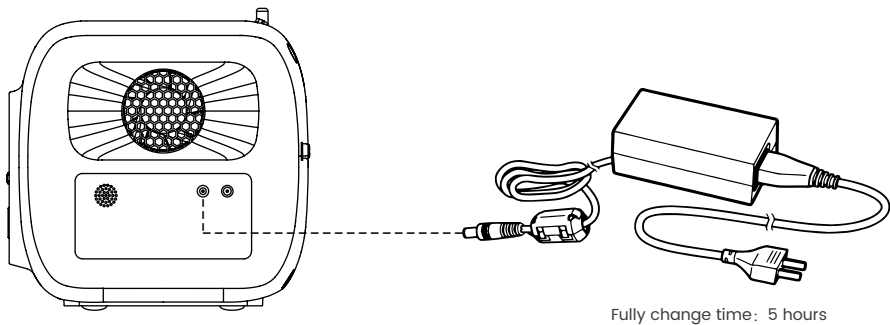
1. This product can be controlled by corresponding voice entries, and voice commands can be used to open or close an input/output/accessory port.
2. When opening or closing an input/output/accessory port, the device will have a feedback prompt sound.
3. Voice command entries and feedback prompts are only supported in Chinese and English, and cannot be mixed up.

Corresponding voice command entries;

| Serial number | Entries in English | Function notes |
|---------------|---------------------------------|--|
| 1 | Hello Sotti / Hi Sotti | Wake-up pro |
| 2 | Maximum volume | Adjust the speaker volume to 100%: |
| 3 | Medium volume | Adjust the speaker volume to 50%: |
| 4 | Minimum volume | Adjust the speaker volume to 10%: |
| 5 | Turn on the speaker | Activate the speaker sound function |
| 6 | Turn off the speaker | Turn off the speaker sound function |
| 7 | Power off , Bye-Bye Sotti | Turn off |
| 8 | Turn on all the output | Enable the output function of all interfaces |
| 9 | Turn off all (the output) | Turn off the output function of all interfaces |
| 10 | Turn on the AC output | Enable AC output function |
| 11 | Turn off the AC output | Turn off AC output function |
| 12 | Turn on the wireless charging | Enable wireless charging and output function |
| 13 | Turn off the wireless charging | Turn off wireless charging and output function |
| 14 | Turn on the DC output | Turn on DC output function |
| 15 | Turn off the DC output | Turn off DC output function |
| 16 | Turn on the accessories output | Enable the output function of all accessory interfaces |
| 17 | Turn off the accessories output | Turn off the output function of all accessory interfaces |

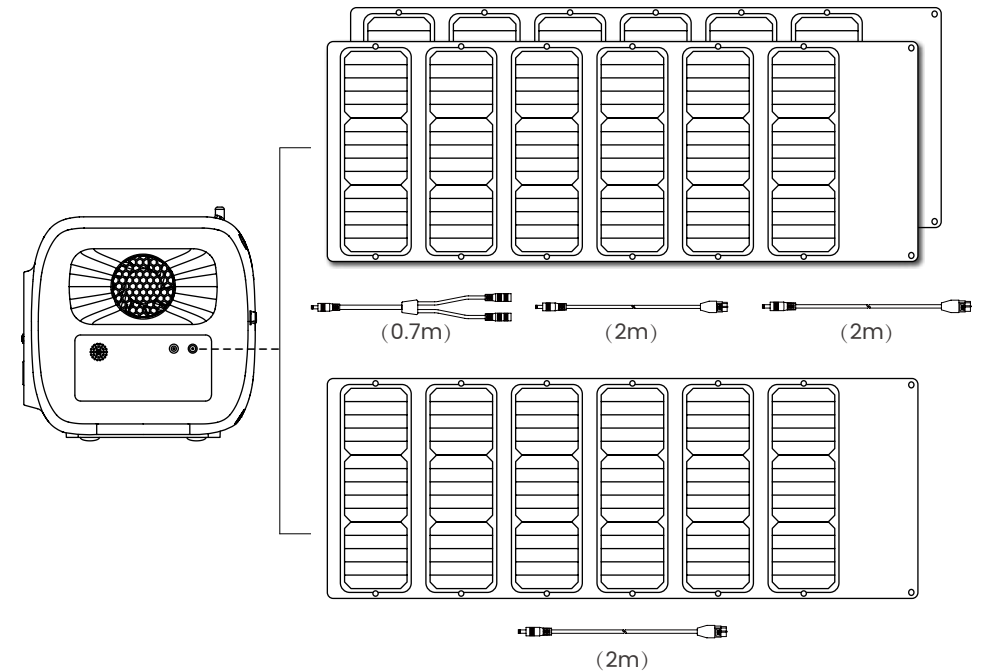
3. Charging this product

3.1 Adapter charging



1. When charging AC, it is recommended to use a socket with a capacity of 10A or more, and ensure that the working current of the socket continues to exceed 10A.
2. Please use the original standard AC charging cable of the product, and it is recommended to directly connect it to the wall socket.

3.2 Solar charging



1. The solar panel is optional and needs to be purchased separately. You can choose 1 or 2 solar panels
2. When using the Sottlot solar panel to charge this product, please connect according to the user manual
3. Before connecting the solar panel, please confirm that the output voltage specification of the solar panel is within 30V to avoid damage to the product

Accessories: Solar panel

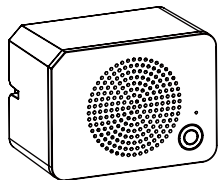
Solar Cell: Monocrystalline silicon

Voltage: 18V

One solar panel (100W) needs to be fully charged: 5.12 hours

Two solar panels (100W*2) need to be fully charged: 2.56 hours

4. Parameter specifications of accessory modules

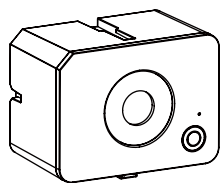


Accessories: Speaker

Button: long press for 1.5 seconds to switch on and off, When it's powered on, long press for 6 seconds to clear blue tooth speaker pairing record(Reset)

Pairing: The default pairing is when power on (Bluetooth search devices: SDN-XX, when bluetooth is turned on)

Transmission distance: 10M, support charging while playing, 100% full charge can play for 6 hours



Accessories: spot light

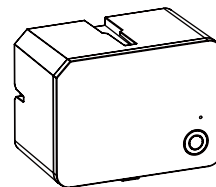
Button: long press for 1.5 seconds to switch on and off, short press for mode switching

Lithium battery: 3.7V 1000mah

LEDs: 300LM, CCT 5700K

Lighting mode: M1: 25%, M2: 50%, M3: 75%, M4: 100%

SOS mode: in any state, short press the button twice continuously to enter SOS mode, short press again to exit the mode;



Accessories: mini panel light

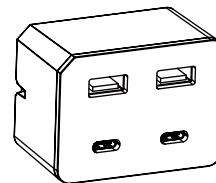
Button: long press for 1.5 seconds to switch on and off, short press for mode switching

Lithium battery: 3.7V 1800mah

LEDs: 500LM, CCT 4000K

Lighting mode: M1: 25%, M2: 50%, M3: 75%, M4: 100%

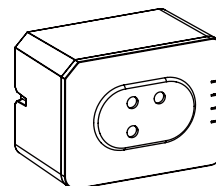
SOS mode: In any state, short press the button twice continuously to enter SOS mode, short press again to exit the mode;



Accessories: USB

USB-A output: 5V3A×2

USB-C output: 5V×1+ 100W×1



Accessories: power bank












Lithium battery: 3.7V 3600mAh

Indicator lights: four indicators, corresponding to 25%, 50%, 75%, 100% of the power

Magnetic charging: yes, it can be attached to other accessories and charged

Note: the accessory module needs to be purchased separately, and each accessory can be freely exchanged and plugged in at the accessory port of the host. the dimensions of accessory modules are 58.3×44.3×35.7mm

5. Fault display and processing

| Exception icon | Exceptional content | Exception type | Exception recovery and method |
|---|---|---|---|
|  | 1. The temperature over limit prompt is at a high level and displays red 2. The icon is on | Battery high temperature protection | Automatic recovery after the battery cools down to 50°C |
|  | 1. The temperature over limit prompt is at a low level 2. The icon is on | Battery low temperature protection | Automatic recovery when the battery temperature is above 5°C |
|  | The icon is on | AC output over temperature protection | Please ensure that the air inlet and outlet of the product are unblocked, and it will automatically recover after the temperature drops |
|  | The icon is on | AC output overload protection | Remove the load and restart the machine to restore it. The power must be used within the rated power (800W) |
|  | The icon is on | AC short circuit protection | Remove the load and restart the machine to restore |
|  | The icon is on | DC (5521/cigarette lighter) overload protection | Remove the load and restart the machine to restore it. The power must be used within the rated power (130W) |
|  | The icon is on | BMS over temperature protection | Please ensure that the air inlet and outlet of the product are unblocked, and it will automatically recover after the temperature drops |
|  | The icon is on | MPPT input under voltage protection | Remove the load, automatically recover after the input voltage is normal |
|  | The icon is on | MPPT input over voltage protection | Remove the load, automatically recover after the input voltage is normal |
|  | The icon is on | MPPT over temperature protection | Please ensure that the air inlet and outlet of the product are unblocked, and it will automatically recover after the temperature drops |
|  | The icon is on | Maintenance Reminder | After charging to 100% battery capacity, clear the alarm |

If there is an alarm prompt during the use of this product, and the alarm icon still does not disappear after restarting the machine, please stop using it immediately (do not try to charge or discharge). If none of the above information can solve your problem, please contact customer service for consultation.

6. Common problems

1. What type is the product battery?

This product uses high-quality lithium iron phosphate battery, which can reach 3000 cycles

2. What equipment can the AC outlet of the product carry?

The rated power of this product is 800W, and it can supply power to some devices that do not exceed 800W. It is recommended that you confirm the power of the device before use, and ensure that the sum of the power of all load devices is less than the rated power.

3. How do I know how long the product will be fully charged? How to check if the product is charging?

When charging or discharging, the display screen will display the charging and discharging icon and the remaining charging and discharging time.

4. Can this product be brought to the plane?

Can't.

5. Can the frequency of the product be switched?

Under normal circumstances, it is not recommended to switch it at all. If you need to switch the AC frequency in special circumstances, please switch it in the APP setting item after turning on the AC power.

6. How to clean this product?

Wipe this product with a dry, soft, clean cloth or paper towel.

7. Maintenance

1. During the safety period, please do not store this product in an environment >45°C or <-10°C for a long time

2. For long-term storage, please charge and discharge the product once every 3 months (first discharge to 0%, then charge to 60% for long-term storage); products that have not been charged and discharged for more than 6 months will not be guaranteed

3. The APP can set the maintenance time, the maintenance time can be set from 60 days to 180 days, increase by 30 days each time, and the default maintenance time is 90 days

4. If the power of the product is seriously low and the idle time is too long, the product will switch to hibernation mode, and the product needs to be charged before it can be used again.

8. Warranty

8.1 Product category warranty period

The warranty period is calculated from the date of purchase by the original consumer.

1. For the product host, the warranty period is 48 months.
2. For accessory modules, the warranty period is 24 months.
3. The warranty period for solar panel and accessories such as cables and chargers is 12 months.
4. There is no warranty for the accessories (lanyards, telescopic rods, brackets) that are compatible with the module.

The warranty period may vary by country/region, but local laws and regulations must be followed.

8.2 Non warranty coverage

The following failures or damages are not covered by the warranty.

- 1) Damaged by force majeure (such as lightning, tornado, hurricane, war, fire, etc.);
- 2) Misuse, abuse, or unauthorized modification, repair, disassembly, or operation without following official instructions;
- 3) Purchase from unauthorized resellers;
- 4) Special purposes for non-normal consumer purposes;
- 5) The product is lost, stolen or fully refunded;
- 6) Any defect or damage caused by exposure to excessive heat, excessive cold, liquid or other external causes;
- 7) The product is beyond the free warranty period.
- 8) Improper transportation or abnormal drop, shaking, etc.
- 9) Improper storage, such as no charge and discharge for more than 6 months, will cause internal leakage of the battery and even fire;



www.sottlot.com



marketing@sottlot.com